



DIFFUSERS

ROUND DIFFUSER

ROUND DIFFUSER

RAD

ADF Round Diffusers offer a simple round cone ceiling style that combines beauty, simplicity and efficiency in one.

DESIGN & CONSTRUCTION

ADF Round Diffusers feature a slot and lock arrangement for quick and easy removal of the centre cone assembly.

This range of products though provides shorter air throw, however a rapid room temperature equalisation can be reached for its 360° even air distribution.

Constructed from Aluminium with baked enamel finished, ADF Round Diffusers are commonly used in shopping malls, arenas, convention centres as well as warehouses and factories.

FEATURES

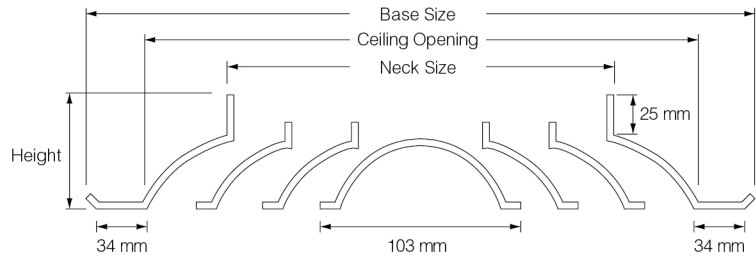
- Classic yet aesthetic appearance.
- Removable centre cone enable front adjustment of volume control device.
- Simple flush mounting or free hung installation.
- Even air distribution.
- Rapid room temperature equalisation.
- Suitable for ceiling supply and extract air installation.
- Standard neck sizes at 150 mm, 200 mm, 250 mm, 300 mm, 350 mm, 400 mm and 450 mm diameter.



ROUND DIFFUSER

Model RAD

PHYSICAL DIMENSION



| Model | Neck Size Ø mm | Ceiling Opening Ø mm | Base Size Ø mm | Height mm |
|--------|-------------------|-------------------------|-------------------|--------------|
| RAD150 | 150 | 232 | 300 | 75 |
| RAD200 | 200 | 332 | 400 | 75 |
| RAD250 | 250 | 382 | 450 | 75 |
| RAD300 | 300 | 432 | 500 | 75 |
| RAD350 | 350 | 482 | 550 | 75 |
| RAD400 | 400 | 532 | 600 | 75 |
| RAD450 | 450 | 582 | 650 | 75 |

PERFORMANCE DATA

| Neck Velocity, m/s | | 2.0 | 2.5 | 3.0 | 3.5 | 4.0 | 4.5 | 5.0 | 6.0 | 7.0 | 8.0 |
|--------------------|------------|-----|-----|-----|-----|-----|-----|-----|------|------|------|
| Model | ΔP, Pa | 5 | 9 | 12 | 16 | 21 | 27 | 33 | 47 | 64 | 87 |
| | H V | 7 | 11 | 16 | 21 | 27 | 35 | 43 | 61 | 82 | 108 |
| RAD150 | Air, l/s | 29 | 38 | 47 | 57 | 66 | 85 | 94 | 111 | 130 | 149 |
| | Throw, Ø m | <1 | 1 | 1.3 | 1.7 | 2 | 2.3 | 2.5 | 2.7 | 3 | 3.3 |
| | NR | <15 | <15 | 15 | 20 | 24 | 27 | 31 | 36 | 41 | 45 |
| RAD200 | Air, l/s | 66 | 83 | 95 | 110 | 127 | 148 | 160 | 198 | 245 | 264 |
| | Throw, Ø m | 1.3 | 1.7 | 2 | 2.7 | 3 | 3.3 | 3.5 | 4 | 4.5 | 5 |
| | NR | <15 | <15 | 16 | 21 | 26 | 29 | 32 | 38 | 43 | 47 |
| RAD250 | Air, l/s | 100 | 123 | 150 | 172 | 198 | 245 | 257 | 298 | 348 | 410 |
| | Throw, Ø m | 1.7 | 2.3 | 2.7 | 3 | 3.3 | 4 | 4.7 | 5.3 | 6 | 7 |
| | NR | <15 | <15 | 17 | 22 | 27 | 30 | 33 | 39 | 44 | 48 |
| RAD300 | Air, l/s | 148 | 180 | 220 | 250 | 297 | 330 | 357 | 428 | 500 | 571 |
| | Throw, Ø m | 2.3 | 2.7 | 3.3 | 3.7 | 4.3 | 5 | 5.3 | 6 | 7 | 8 |
| | NR | <15 | <15 | 18 | 23 | 27 | 31 | 34 | 40 | 45 | 50 |
| RAD350 | Air, l/s | 200 | 250 | 299 | 352 | 401 | 450 | 500 | 599 | 703 | 800 |
| | Throw, Ø m | 2.7 | 3 | 3.7 | 4.3 | 5 | 5.7 | 6.3 | 7 | 8 | 9 |
| | NR | <15 | <15 | 19 | 24 | 28 | 32 | 35 | 41 | 46 | 50 |
| RAD400 | Air, l/s | 264 | 330 | 396 | 462 | 528 | 595 | 660 | 793 | 925 | 1057 |
| | Throw, Ø m | 3 | 3.7 | 4.3 | 5 | 5.7 | 6.5 | 7.3 | 8 | 9 | 10 |
| | NR | <15 | 15 | 20 | 25 | 29 | 32 | 36 | 41 | 46 | 51 |
| RAD450 | Air, l/s | 335 | 418 | 500 | 585 | 670 | 750 | 835 | 1000 | 1170 | 1335 |
| | Throw, Ø m | 3.3 | 4 | 5 | 5.7 | 6.7 | 7.3 | 8 | 9 | 10 | 11 |
| | NR | <15 | 16 | 21 | 26 | 30 | 33 | 36 | 42 | 47 | 52 |

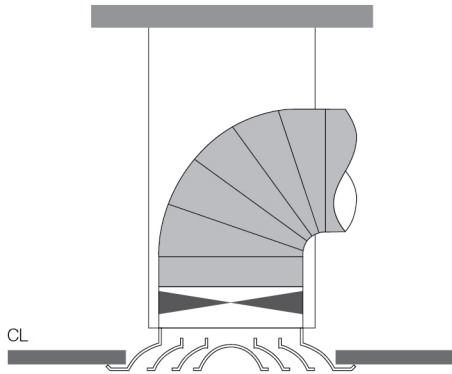
ROUND DIFFUSER

Model RAD

MOUNTING GUIDE AND ISOTHERMAL AIR THROW PATTERN

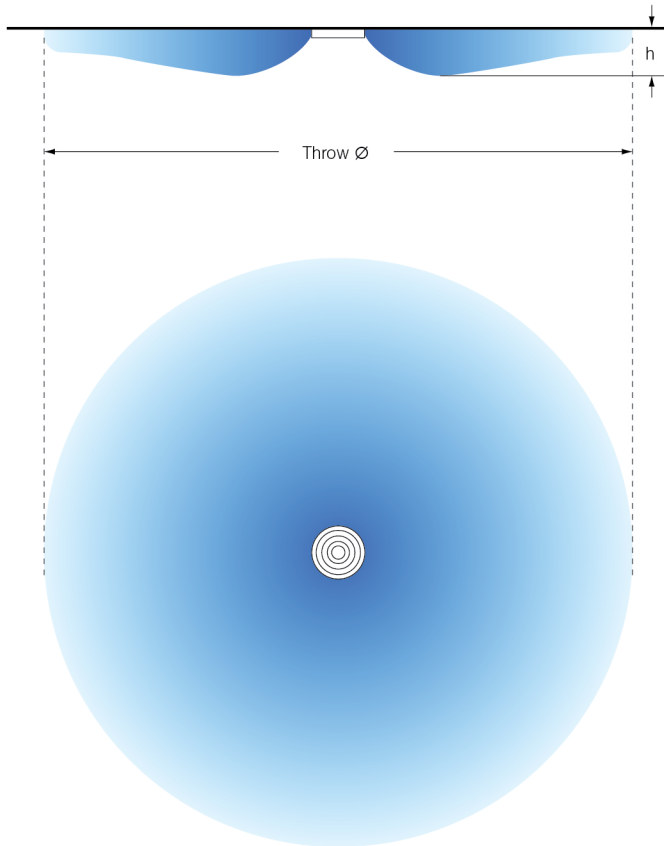
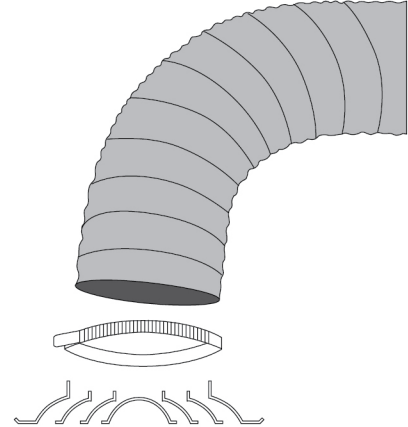
RAD mounting with ceiling effect

H – Horizontal air throw

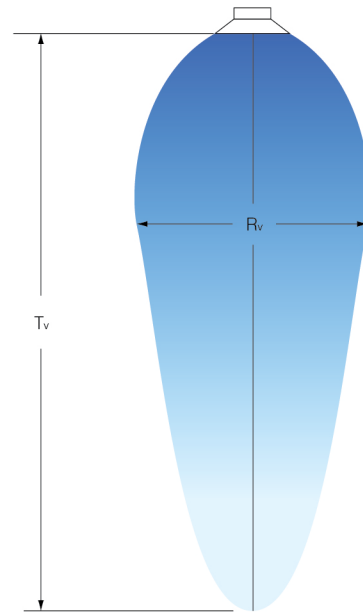


RAD mounting without ceiling effect

V – Vertical air throw



h | (Throw \varnothing x 0.1) m



T_v | (Throw \varnothing x 1.15) m
 R_v | (Throw \varnothing x 0.7) m
 NR_v | NR + 1